

## 1 Pre-Check: T/F?

- 1.1 By pipelining the CPU datapath, each single instruction will execute faster because pipelining reduces the latency per instruction (resulting in a speed-up in performance).

False. Because we insert registers between each stage in the datapath, the time it takes for an instruction to finish execution through the 5 stages will be longer than the single-cycle datapath. A single instruction will take multiple clock cycles to get through all the stages, with the clock cycle based on the critical path (the stage with the longest timing).

- 1.2 A pipelined CPU datapath results in instructions being executed with higher throughput compared to the single-cycle CPU.

True. Recall that throughput is the number of instructions processed per unit time. Pipelining results in a higher throughput because multiple instructions can be in a different stage of the datapath at the same time.

- 1.3 Through adding additional hardware, we can implement two 'read' ports as well as a 'write' port to the Register File. This solves the hazard of two instructions reading and writing to the same register simultaneously.

False. The addition of independent ports to the RegFile allows for multiple instructions to access the RegFile at the same time (such as one instruction reading values of two operands, while another instruction is writing to a return register). However, this does not work if both instructions are reading and writing to the same register. Some solutions to this data hazard could be to stall the latter instruction by 1 cycle or to forward the read value from a previous instruction, bypassing the RegFile completely.

- 1.4 Without forwarding or double-pumping, data hazards will usually result in 3 stalls.

True. The next instruction must wait for the previous instruction to finish EX, MEM, and WB, before it can begin its EX.

- 1.5 All data hazards can be resolved with forwarding.

False. Hazards following `lw` cannot be fully resolved with forwarding because the output is not known until after the MEM stage, making a stall necessary.

- 1.6 Stalling is the only way to resolve control hazards.

False. There are other more advanced techniques such as branch prediction, which predicts which path the branch will take and flushes the pipeline if the prediction is wrong.

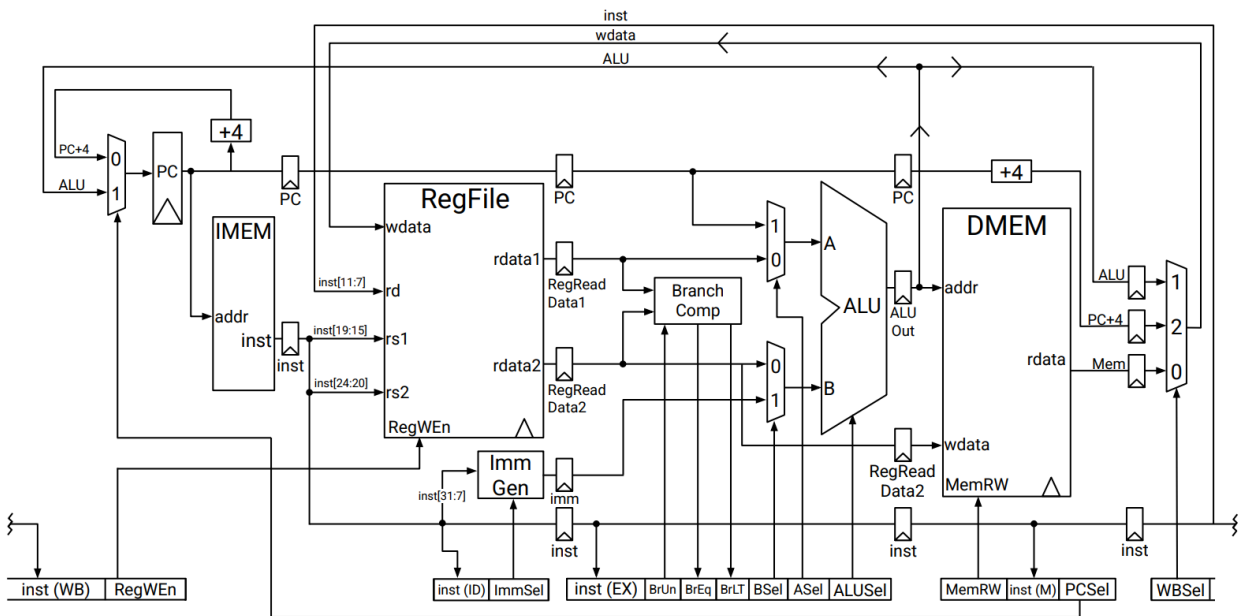
## 2 Pipelining

In order to pipeline, we separate the datapath into 5 discrete stages, each completing a different function and accessing different resources on the way to executing an entire instruction.

Recall the five stages: In the **IF** stage, we use the Program Counter to access our instruction as it is stored in IMEM. Then, we separate the distinct parts we need from the instruction bits in the **ID** stage and generate our immediate, the register values from the RegFile, and other control signals. Afterwards, using these values and signals, we complete the necessary ALU operations in the **EX** stage. Next, anything we do in regards with DMEM (not to be confused with RegFile or IMEM) is done in the **MEM** stage, before we hit the **WB** stage, where we write the computed value that we want back into the return register in the RegFile.

These 5 stages, divided by registers, allow operating different stages of the datapath in the same clock period. Different instructions can use different stages at the same time. At each clock cycle, the necessary inputs into a particular stage are sampled at the rising clock edge (and available after the clk-to-q delay). After the stage operates on the inputs, the corresponding outputs are fed into pipeline registers for the next stage. Note, pipeline registers may also be required to pass information that may not be necessary for the next immediate stage, but some future stage.

### 5-Stage Datapath Diagram



## 3 Hazards

One of the costs of pipelining is that it introduces pipeline hazards. Hazards, generally, are issues with something in the CPU's instruction pipeline that could cause the next instruction to execute incorrectly.

The 5-stage pipelined CPU introduces three types: structural hazards (insufficient hardware), data hazards (using outdated values in computation), and control hazards (executing the wrong instructions).

### Structural Hazards

Structural hazards occur when more than one instruction needs to use the same datapath resource at the same time. In the standard 5-stage RISC-V pipeline, **there aren't structural hazards**, unless changes are made to the pipeline. The structural hazards that could exist are prevented by RV32I's hardware requirements.

There are two main causes of structural hazards:

- **Register File:** The register file is accessed both during ID, when it is read to decode the instruction and fetch the corresponding register values; and during WB, when it is written to in the `rd` register.
  - We resolve this by having separate read and write ports. However, this only works if the read/written registers are different.
- **Main Memory:** Main memory is accessed for both instructions and data. If memory could only support one read/write at a time, then instruction A (in the IF stage) attempting to fetch from memory would conflict with instruction B attempting to read or write to the data portion of memory.
  - Having separate instruction memory (IMEM) and data memory (DMEM) solves this hazard.

Something to remember about structural hazards is that they can always be resolved by adding more hardware.

### Data Hazards

Data hazards are caused by data dependencies between instructions. In CS 61C, where we always assume that instructions go through the processor in order, data hazards occur when an instruction **reads** a register before a previous instruction has finished **writing** to the same register.

Data hazards occur between different stages. Some examples are:

- **EX-ID:** This hazard exists because the output from the execute stage is not written back to the RegFile until the writeback stage, yet it can be requested by the subsequent instruction during the decode stage.
- **MEM-ID:** This hazard exists because the output from the memory access stage is not written back to the RegFile until the writeback stage, but it can still be requested from the decode stage—just like in EX-ID.
- **WB-ID:** To account for reads and writes to the same register, processors usually write to the register during the first half of the clock cycle and read from it during the second half. This is

an implementation of the idea of **double pumping**, where data is transferred along buses at double the rate by using both the rising and falling clock edges within a single clock cycle.

### Detecting Data Hazards

Say we have the `rs1`, `rs2`, `RegWen`, and `rd` signals for two instructions (instruction `n` and instruction `n + 1`) and we wish to determine if a data hazard exists across the instructions. We can simply check to see if the `rd` for instruction `n` matches either `rs1` or `rs2` of instruction `n + 1`, indicating that such a hazard exists.

We could then use our hazard detection to determine which forwarding paths/number of stalls (if any) are necessary to take to ensure proper instruction execution. In pseudo-code, part of this could look something like the following:

```
if (rs1(n + 1) == rd(n) && RegWen(n) == 1) {
    set ASel for (n + 1) to forward ALU output from n
}
if (rs2(n + 1) == rd(n) && RegWen(n) == 1) {
    set BSel for (n + 1) to forward ALU output from n
}
```

### Control Hazards

Control hazards are caused by **jump and branch instructions**, because for all jumps and some branches, the next PC is not `PC + 4`, but rather the result of the ALU, which is only available after the EX stage.

One way to handle control hazards is to stall the pipeline until the correct PC is known—but this reduces performance. Another option is to implement a branch predictor to try to “guess” whether a branch should be taken or not and, instead of stalling, execute the next instruction based on our guess. We discover the “correctness” of the guess when the branch instruction reaches the EX stage: an incorrect guess means we have to change the incorrect instructions in the pipeline to a NOP. On a correct guess, we save some cycles!