

CS 61C Reference Card

Version 4.1.0

	Instruction	Name	Description	Type	Opcode	Funct3	Funct7
Arithmetic	add rd rs1 rs2	ADD	$rd = rs1 + rs2$	R	011 0011	000	000 0000
	sub rd rs1 rs2	SUBtract	$rd = rs1 - rs2$	R	011 0011	000	010 0000
	and rd rs1 rs2	bitwise AND	$rd = rs1 \& rs2$	R	011 0011	111	000 0000
	or rd rs1 rs2	bitwise OR	$rd = rs1 rs2$	R	011 0011	110	000 0000
	xor rd rs1 rs2	bitwise XOR	$rd = rs1 \wedge rs2$	R	011 0011	100	000 0000
	sll rd rs1 rs2	Shift Left Logical	$rd = rs1 \ll rs2$	R	011 0011	001	000 0000
	srl rd rs1 rs2	Shift Right Logical	$rd = rs1 \gg rs2$ (Zero-extend)	R	011 0011	101	000 0000
	sra rd rs1 rs2	Shift Right Arithmetic	$rd = rs1 \gg rs2$ (Sign-extend)	R	011 0011	101	010 0000
	slt rd rs1 rs2	Set Less Than (signed)	$rd = (rs1 < rs2) ? 1 : 0$	R	011 0011	010	000 0000
	sltu rd rs1 rs2	Set Less Than (Unsigned)		R	011 0011	011	000 0000
	addi rd rs1 imm	ADD Immediate	$rd = rs1 + imm$	I	001 0011	000	
	andi rd rs1 imm	bitwise AND Immediate	$rd = rs1 \& imm$	I	001 0011	111	
	ori rd rs1 imm	bitwise OR Immediate	$rd = rs1 imm$	I	001 0011	110	
	xori rd rs1 imm	bitwise XOR Immediate	$rd = rs1 \wedge imm$	I	001 0011	100	
	slli rd rs1 imm	Shift Left Logical Immediate	$rd = rs1 \ll imm$	I*	001 0011	001	000 0000
	srl rd rs1 imm	Shift Right Logical Immediate	$rd = rs1 \gg imm$ (Zero-extend)	I*	001 0011	101	000 0000
	srai rd rs1 imm	Shift Right Arithmetic Immediate	$rd = rs1 \gg imm$ (Sign-extend)	I*	001 0011	101	010 0000
	Memory	lb rd imm(rs1)	Load Byte	$rd = 1$ byte of memory at address $rs1 + imm$, sign-extended	I	000 0011	000
lbu rd imm(rs1)		Load Byte (Unsigned)	$rd = 1$ byte of memory at address $rs1 + imm$, zero-extended	I	000 0011	100	
lh rd imm(rs1)		Load Half-word	$rd = 2$ bytes of memory starting at address $rs1 + imm$, sign-extended	I	000 0011	001	
lhu rd imm(rs1)		Load Half-word (Unsigned)	$rd = 2$ bytes of memory starting at address $rs1 + imm$, zero-extended	I	000 0011	101	
lw rd imm(rs1)		Load Word	$rd = 4$ bytes of memory starting at address $rs1 + imm$	I	000 0011	010	
sb rs2 imm(rs1)		Store Byte	Stores least-significant byte of $rs2$ at the address $rs1 + imm$ in memory	S	010 0011	000	
sh rs2 imm(rs1)		Store Half-word	Stores the 2 least-significant bytes of $rs2$ starting at the address $rs1 + imm$ in memory	S	010 0011	001	
sw rs2 imm(rs1)		Store Word	Stores $rs2$ starting at the address $rs1 + imm$ in memory	S	010 0011	010	

	Instruction	Name	Description	Type	Opcode	Funct3
Control	beq rs1 rs2 label	Branch if Equal	if (rs1 == rs2) PC = PC + offset	B	110 0011	000
	bge rs1 rs2 label	Branch if Greater or Equal (signed)	if (rs1 >= rs2)	B	110 0011	101
	bgeu rs1 rs2 label	Branch if Greater or Equal (Unsigned)	PC = PC + offset	B	110 0011	111
	blt rs1 rs2 label	Branch if Less Than (signed)	if (rs1 < rs2)	B	110 0011	100
	bltu rs1 rs2 label	Branch if Less Than (Unsigned)	PC = PC + offset	B	110 0011	110
	bne rs1 rs2 label	Branch if Not Equal	if (rs1 != rs2) PC = PC + offset	B	110 0011	001
	jal rd label	Jump And Link	rd = PC + 4 PC = PC + offset	J	110 1111	
	jalr rd rs1 imm	Jump And Link Register	rd = PC + 4 PC = rs1 + imm	I	110 0111	000
Other	auipc rd immu	Add Upper Immediate to PC	imm = immu << 12 rd = PC + imm	U	001 0111	
	lui rd immu	Load Upper Immediate	imm = immu << 12 rd = imm	U	011 0111	
	ebreak	Environment BREAK	Asks the debugger to do something (imm = 0)	I	111 0011	000
	ecall	Environment CALL	Asks the OS to do something (imm = 1)	I	111 0011	000
Ext	mul rd rs1 rs2	MULTiply (part of mul ISA extension)	rd = rs1 * rs2	(omitted)		

#	Name	Description	#	Name	Desc
x0	zero	Constant 0	x16	a6	Args
x1	ra	Return Address	x17	a7	
x2	sp	Stack Pointer	x18	s2	Saved Registers
x3	gp	Global Pointer	x19	s3	
x4	tp	Thread Pointer	x20	s4	
x5	t0	Temporary Registers	x21	s5	
x6	t1		x22	s6	
x7	t2		x23	s7	
x8	s0		Saved Registers	x24	
x9	s1	x25		s9	
x10	a0	Function Arguments or Return Values		x26	
x11	a1		x27	s11	
x12	a2	Function Arguments	x28	t3	Temporaries
x13	a3		x29	t4	
x14	a4		x30	t5	
x15	a5		x31	t6	
Caller saved registers					
Callee saved registers (except x0 , gp , tp)					

Pseudoinstruction	Name	Description	Translation
beqz rs1 label	Branch if Equals Zero	if (rs1 == 0) PC = PC + offset	beq rs1 x0 label
bnez rs1 label	Branch if Not Equals Zero	if (rs1 != 0) PC = PC + offset	bne rs1 x0 label
j label	Jump	PC = PC + offset	jal x0 label
jal label	Jump and Link	PC = PC + offset ra = PC + 4	jal ra label
jr rs1	Jump Register	PC = rs1	jalr x0 rs1 0
la rd label	Load absolute Address	rd = &label	auipc , addi
li rd imm	Load Immediate	rd = imm	lui (if needed), addi
mv rd rs1	MoVe	rd = rs1	addi rd rs1 0
neg rd rs1	NEGate	rd = -rs1	sub rd x0 rs1
nop	No OPERATION	do nothing	addi x0 x0 0
not rd rs1	bitwise NOT	rd = ~rs1	xori rd rs1 -1
ret	RETurn	PC = ra	jalr x0 x1 0

	31	25	24	20	19	15	14	12	11	7	6	0
R	funct7		rs2	rs1	funct3	rd	opcode					
I	imm[11:0]					rs1	funct3	rd	opcode			
I*	funct7		imm[4:0]		rs1	funct3	rd	opcode				
S	imm[11:5]		rs2	rs1	funct3	imm[4:0]	opcode					
B	imm[12 10:5]		rs2	rs1	funct3	imm[4:1 11]	opcode					
U	imm[31:12]						rd	opcode				
J	imm[20 10:1 11 19:12]						rd	opcode				

Immediates are sign-extended to 32 bits, except in I* type instructions

Selected ASCII values

HEX	DEC	CHAR	HEX	DEC	CHAR	HEX	DEC	CHAR	HEX	DEC	CHAR	HEX	DEC	CHAR	HEX	DEC	CHAR
0x20	32	SPACE	0x30	48	0	0x40	64	@	0x50	80	P	0x60	96	`	0x70	112	p
0x21	33	!	0x31	49	1	0x41	65	A	0x51	81	Q	0x61	97	a	0x71	113	q
0x22	34	"	0x32	50	2	0x42	66	B	0x52	82	R	0x62	98	b	0x72	114	r
0x23	35	#	0x33	51	3	0x43	67	C	0x53	83	S	0x63	99	c	0x73	115	s
0x24	36	\$	0x34	52	4	0x44	68	D	0x54	84	T	0x64	100	d	0x74	116	t
0x25	37	%	0x35	53	5	0x45	69	E	0x55	85	U	0x65	101	e	0x75	117	u
0x26	38	&	0x36	54	6	0x46	70	F	0x56	86	V	0x66	102	f	0x76	118	v
0x27	39	'	0x37	55	7	0x47	71	G	0x57	87	W	0x67	103	g	0x77	119	w
0x28	40	(0x38	56	8	0x48	72	H	0x58	88	X	0x68	104	h	0x78	120	x
0x29	41)	0x39	57	9	0x49	73	I	0x59	89	Y	0x69	105	i	0x79	121	y
0x2A	42	*	0x3A	58	:	0x4A	74	J	0x5A	90	Z	0x6A	106	j	0x7A	122	z
0x2B	43	+	0x3B	59	;	0x4B	75	K	0x5B	91	[0x6B	107	k	0x7B	123	{
0x2C	44	,	0x3C	60	<	0x4C	76	L	0x5C	92	\	0x6C	108	l	0x7C	124	
0x2D	45	-	0x3D	61	=	0x4D	77	M	0x5D	93]	0x6D	109	m	0x7D	125	}
0x2E	46	.	0x3E	62	>	0x4E	78	N	0x5E	94	^	0x6E	110	n	0x7E	126	~
0x2F	47	/	0x3F	63	?	0x4F	79	O	0x5F	95	_	0x6F	111	o	0x00	0	NULL

C Format String Specifiers

Specifier	Output
d or i	Signed decimal integer
u	Unsigned decimal integer
o	Unsigned octal
x	Unsigned hexadecimal integer, lowercase
X	Unsigned hexadecimal integer, uppercase
f	Decimal floating point, lowercase
F	Decimal floating point, uppercase
e	Scientific notation (significand/exponent), lowercase
E	Scientific notation (significand/exponent), uppercase
g	Use the shortest representation: %e or %f
G	Use the shortest representation: %E or %F
a	Hexadecimal floating point, lowercase
A	Hexadecimal floating point, uppercase
c	Character
s	String of characters
p	Pointer address

IEEE 754 Floating Point Standard

	Sign	Exponent	Significand
Single Precision	1 bit	8 bits (bias = -127)	23 bits
Double Precision	1 bit	11 bits (bias = -1023)	52 bits
Quad Precision	1 bit	15 bits (bias = -16383)	112 bits

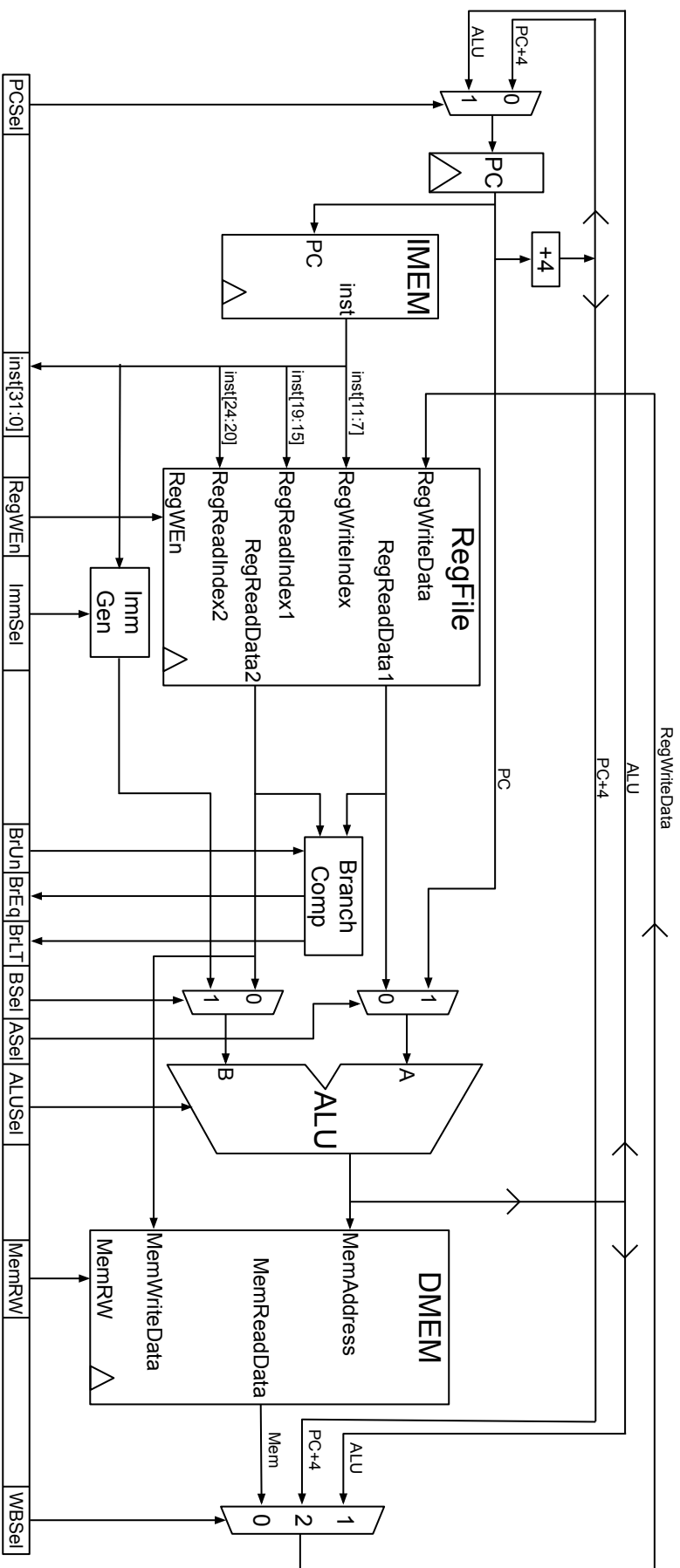
Standard exponent bias: $-(2^{E-1}-1)$ where E is the number of exponent bits

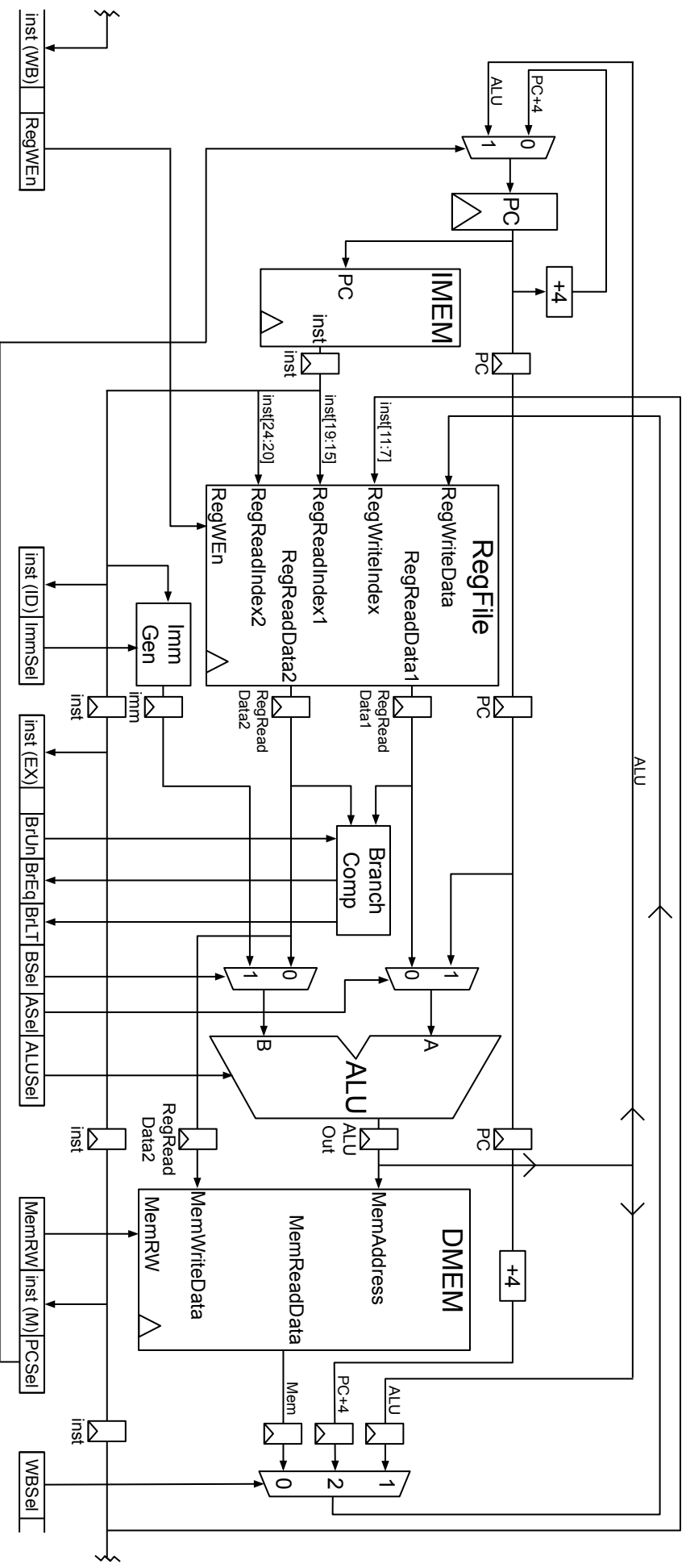
SI Prefixes

Size	Prefix	Symbol	Size	Prefix	Symbol	Size	Prefix	Symbol
10^{-3}	milli-	m	10^3	kilo-	k	2^{10}	kibi-	Ki
10^{-6}	micro-	μ	10^6	mega-	M	2^{20}	mebi-	Mi
10^{-9}	nano-	n	10^9	giga-	G	2^{30}	gibi-	Gi
10^{-12}	pico-	p	10^{12}	tera-	T	2^{40}	tebi-	Ti
10^{-15}	femto-	f	10^{15}	peta-	P	2^{50}	pebi-	Pi
10^{-18}	atto-	a	10^{18}	exa-	E	2^{60}	exbi-	Ei
10^{-21}	zepto-	z	10^{21}	zetta-	Z	2^{70}	zebi-	Zi
10^{-24}	yocto-	y	10^{24}	yotta-	Y	2^{80}	yobi-	Yi

Laws of Boolean Algebra

$$\begin{array}{lll}
 x \cdot \bar{x} = 0 & x + \bar{x} = 1 & (xy)z = x(yz) \\
 x \cdot 0 = 0 & x + 1 = 1 & (x + y) + z = x + (y + z) \\
 x \cdot 1 = x & x + 0 = x & x(y + z) = xy + xz \\
 x \cdot x = x & x + x = x & x + yz = (x + y)(x + z) \\
 x \cdot y = y \cdot x & x + y = y + x & \overline{x \cdot y} = \bar{x} + \bar{y} \\
 xy + x = x & (x + y)x = x & \overline{(x + y)} = \bar{x} \cdot \bar{y}
 \end{array}$$





Bit position	1	2	3	4	5	6	7	8	9	10	11	12	13	14	15	16	17	18	19	20	
Encoded data bits	p1	p2	d1	p4	d2	d3	d4	p8	d5	d6	d7	d8	d9	d10	d11	p16	d12	d13	d14	d15	
Parity bit coverage	p1	✓		✓		✓		✓		✓		✓		✓		✓		✓		✓	
	p2		✓	✓			✓	✓			✓	✓			✓	✓			✓	✓	
	p4				✓	✓	✓	✓					✓	✓	✓	✓					✓
	p8								✓	✓	✓	✓	✓	✓	✓						
	p16																✓	✓	✓	✓	✓